

# Operating manual

## omegon



## **Omegon® Deluxe Polar Wedge**

*English version May 2022 Rev. A Item no. 69370*

Reproducing the contents of this document in whole or in part for purposes other than private use is expressly prohibited in any form.  
Subject to changes and errors. All texts, images and marks are the property of nimax GmbH.

## Omegon Deluxe Polar Wedge®

Congratulations on purchasing your new Omegon® Deluxe polar wedge! This makes it easier for you to reliably align your photo mount or astro tracker in just a few minutes, i.e. to align it exactly to the right angle and to the celestial pole at any time. You will be able to take better tracked shots and beautiful nightscape astrophotos.

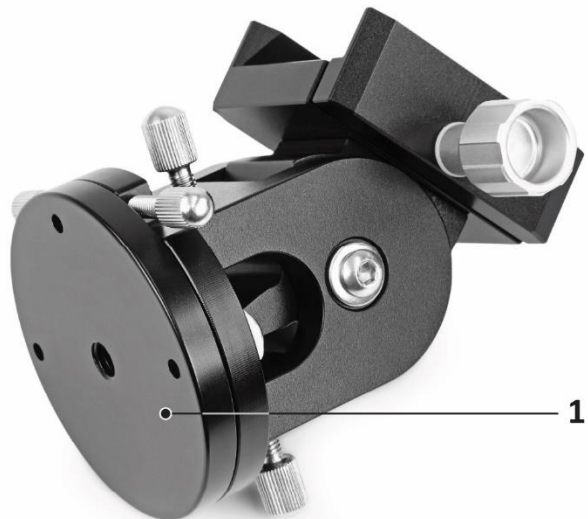
### 1. Preparation

Please read this operating manual carefully before using the device for the first time so that you can fully use the features provided by this polar wedge. The safety instructions for handling this device are also given here and have to be followed.

#### 1.1. Scope of delivery

The Deluxe polar wedge is delivered fully pre-assembled in a foam-padded outer packaging. No other accessories are included.

1. Base with 3/8" photo thread;
2. Degree subdivision altitude ;
3. Altitude fine adjustment;
4. Circular bubble level;
5. Azimuth guide screw;
6. Azimuth fine adjustment;
7. Polar height block;
8. Polar height clamp;
9. Vixen style V-block mount;
10. Clamping screw for V-block mount.



## 1.2. Technical data

Altitude adjustment	10°-60°
Mounting support	Vixen-style
Connection thread Tripod	3/8" photo thread
Weight	670g
Material	anodised aluminium
Colour	black

## 2. Usage

- Mount the Omegon Deluxe polar wedge with the base (1) on a tripod with 3/8" photo thread. If you are using a photo tripod, remove the photo pointer beforehand.

### Note

If the tripod has a small 1/4" photo thread, use a threaded sleeve from the recommended accessories for the base (1) of the Omegon Deluxe polar wedge to reduce from 3/8" to 1/4".

- Assemble your tripod according to the tripod manufacturer's instructions. Use the circular level of the polar wedge (4) to set up the tripod as horizontally as possible so that alignment will be much quicker.
- When setting up the tripod, make sure that the circular level (4) points south or the azimuth fine adjustment (6) points north. A compass helps to identify the directions. Or you can use the North Star for reference. A perpendicular line from Polaris towards the horizon points north.
- Place your photo mount in the V-block mount (9) and close the clamp (10).

### Caution!

Ensure that it is seated properly in the V-block mount and check that it is securely clamped.

- Open the altitude clamp (8) and adjust the altitude to the latitude of your observation location using the scale (2). To do this, use the two knurled screws for fine adjustment of the altitude (3).
- Now observe the polar region through the polarscope of your photo mount, following the manufacturer's instructions.
- Change the azimuth setting using the screws (6) and the altitude using the screws (3). The two screws acts as counterparts, so that it is possible to make very precise adjustments. You will probably have to repeat the azimuth and altitude adjustments several times consecutively to get the best possible alignment. The more accurate the tripod's horizontal setting at the beginning, the faster this procedure will be completed.
- Once you achieve the optimum position according to the display in the polarscope, lock the two screws for fine adjustment of azimuth (6) and the two screws for fine adjustment of altitude (3) and tighten the altitude clamp.

### Note

If the azimuth guide screws (5) allow lateral play, unscrew the screws and tighten them again properly by hand.

Ready! You have precisely aligned your photo mount using the Omegon Deluxe polar wedge and you can now start taking photos. Make sure that you do not accidentally change the position of the tripod, for example by bumping against a tripod leg, otherwise you will have to repeat the steps again.

© nimax GmbH 2022